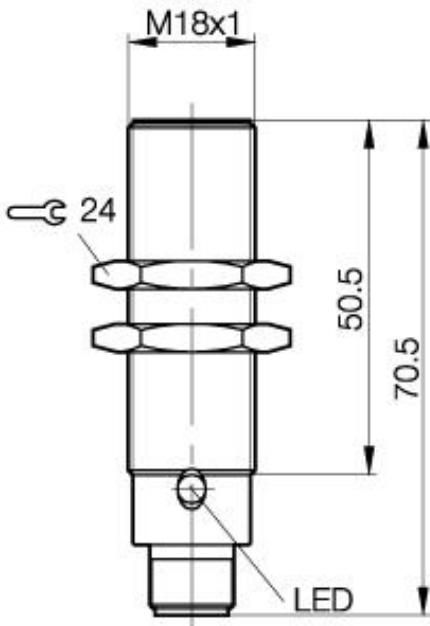


**Inductive Sensors**  
**BES 516-211-E5-E-S 27**  
**M18x1 x 70.5**  
**normally-open**  
**Sn=5mm**  
**shielded**



PX0369

**Common Data**

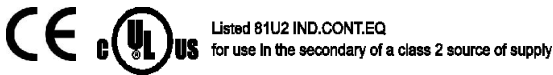
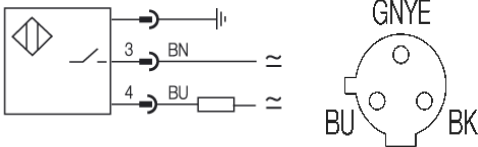
Mounting in steel	shielded
Rated operating distance Sn	5mm
Assured operating distance Sa	0...4.0mm
Repeatability R	≤ 5%
Hysteresis	≤ 15%
Function indication	yes
Ambient temperature range	-25...+70°C
Pollution Degree	3
Time delay before availability	≤ 10ms

**Mechanical Data**

Measurements BxHxT or DxT	M18x1 x 70.5mm
Housing material	Nickel plated brass
Material of sensing face	PA 12
Degree of protection	IP67IP
Connection	Connector S27
Schock: Halbsinus, 30 gn, 11ms	
Vibration: 55 Hz, 1mm Amplitude, 3 x 30 Minutes	

**Electrical Data**

Current type	AC/DC
Wiring	2-Wire
switching function	normally-open
Rated operational voltage	110 DCV
Rated operational current	250mA
Supply voltage	20...250 AC/DCV
max. switching frequency	400Hz
Minimum operational current	5.0mA
No-load supply current	-/mA
Off-state current	≤ 1700µA
Voltage drop	≤ 11.0/≤ 7.5V
Short circuit protection	yes
Protected against polarity reversal	yes



Utilization categories AC  
 140/DC 13  
 Insulation class I

Datasheet number:

Definitions see general catalog.  
 If not otherwise noted, ratings according to IEC 60947-5-2 (DIN EN60947-5-2)

Balluff GmbH  
 Schurwaldstrasse 9  
 73765 Neuhausen a.d.F.  
 Phone (07158) 173-0 Fax (07158) 5010

Datenblatt by CD-ROM - 04/2007

